

# DH-PFH610N-H-POE

## 14" POE Housing



### Features

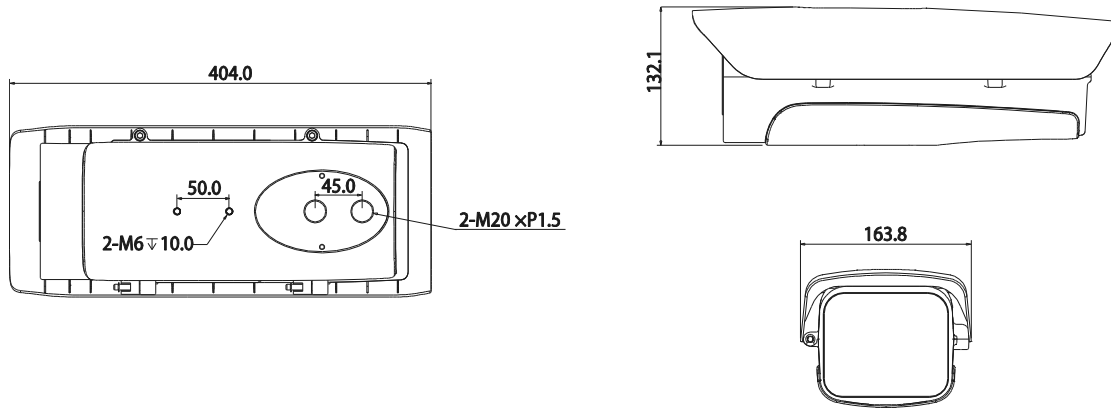
- IP66 Housing
- Water-proof coating film
- Neat & Integrated design

### Specifications

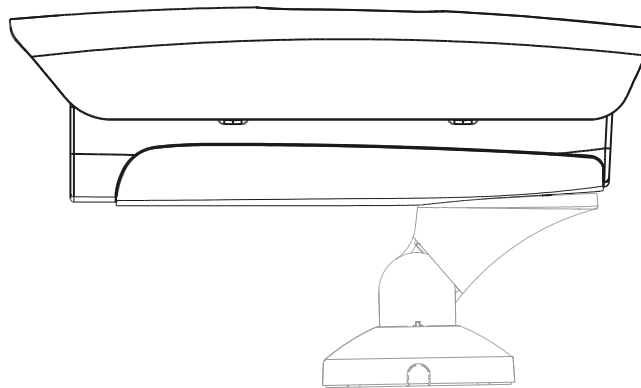
Model		DH-PFH610N-H-POE
<b>General</b>		
Material		Aluminum(case) & PC(others)
Product Dimension		404mm(L) x 164mm(W) x 132mm(H)
Inside Dimension		255mm(L) x 90mm(W) x 70.5mm(H) 215mm(L) x 90mm(W) x 83mm(H)
Window Dimension		100(L) x 80(W)
Operating Temperature	Set	-40°C ~60°C
	Heater	ON: 5±5 °C /OFF: 15±5 °C
	Cooler	ON: 37±5 °C /OFF: 20±5 °C ON: 5±5 °C /OFF: 15±5 °C
Ingress Protection		IP66
Humidity		≤90% RH
IR Distance		N/A
Wiper		N/A
Weight		2.7Kg
Power Supply		POE+
Applicable Model		Please see "Accessory Selection"

# DH-PFH610N-H-POE

## Dimensions (mm)



## Application



---

### Dahua Technology Co., Ltd.

1199 BinAn Road, Binjiang District, Hangzhou, China

Tel: +86-571-87688883

Fax: +86-571-87688815

Email: [overseas@dahuatech.com](mailto:overseas@dahuatech.com)

[www.dahuasecurity.com](http://www.dahuasecurity.com)

\*Design and specifications are subject to change without notice.

© 2014 Dahua Technology Co., Ltd.